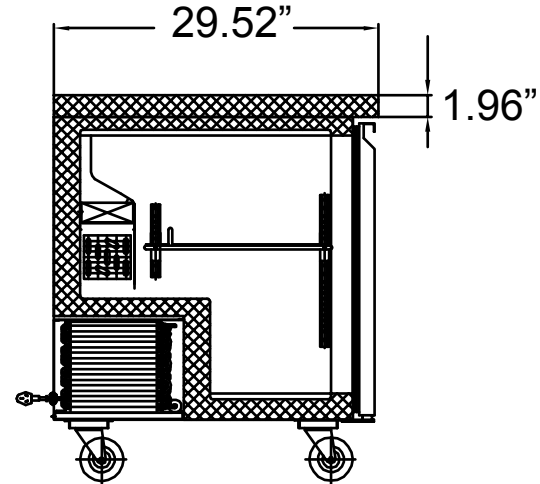
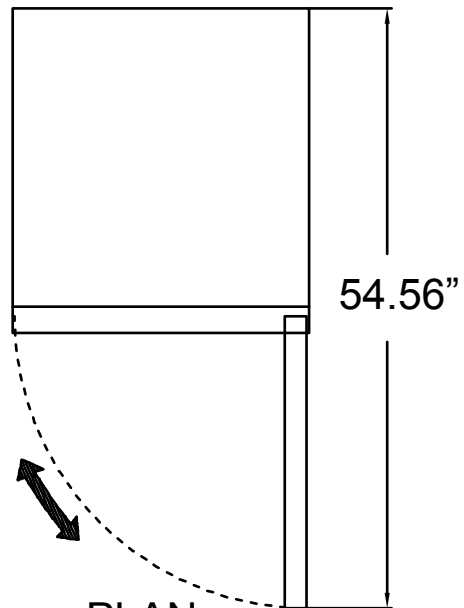


ELEVATION



SECTION VIEW



PLAN

Model	Compressor:HP	Refrigerant	Thermostat model	Voltage Supply	Capacity	Temperature Range	Exterior Dimensions
TUC27R		R134a	Digital Type	110V/60Hz/1PHASE	117L	0° ~ 10°	26.96" x 29.52" x 35.23"
TUC27F		R404A	Digital Type	110V/60Hz/1PHASE	117L	-22° ~ -18°	26.96" x 29.52" x 35.23"

**TUC27R/F**